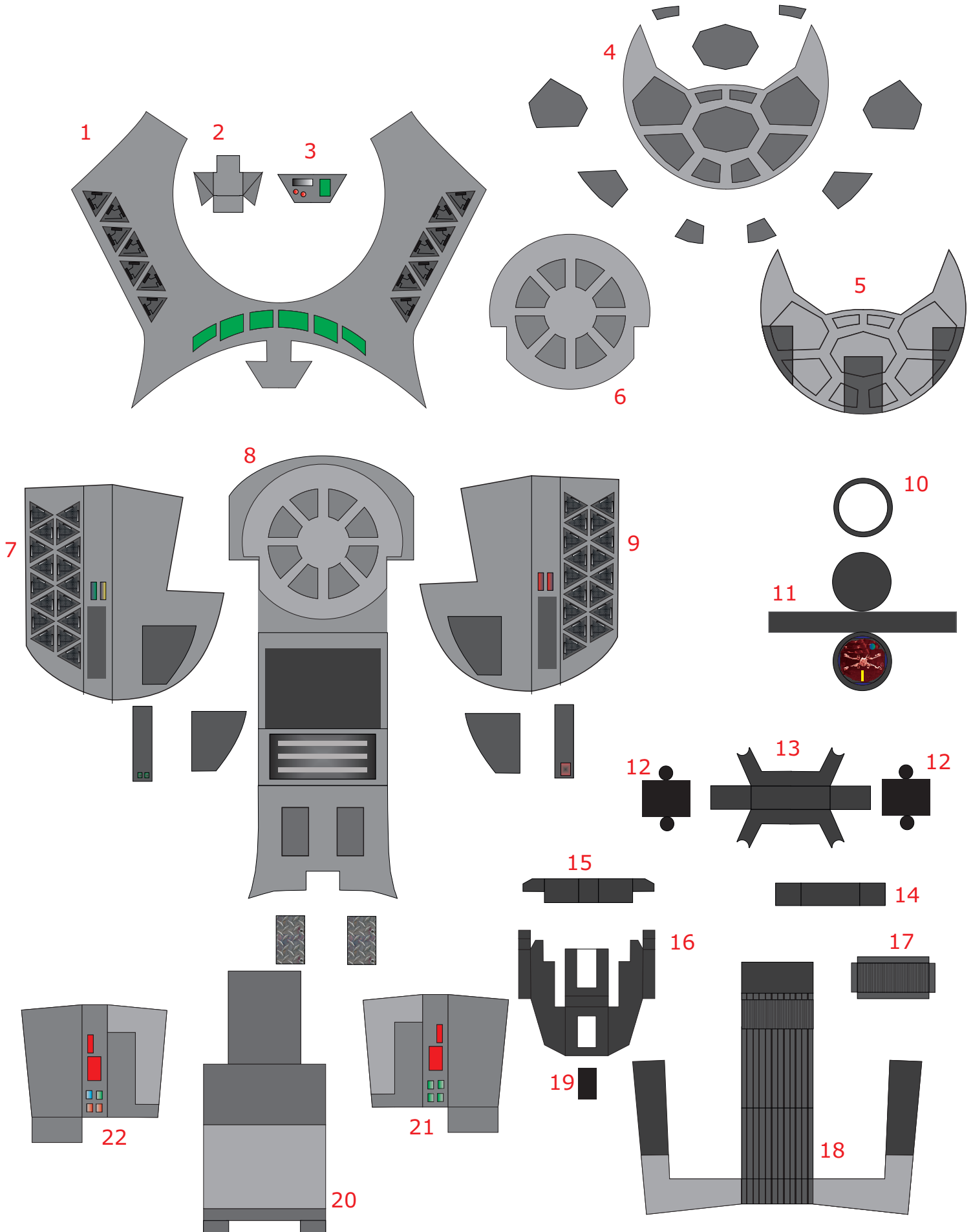


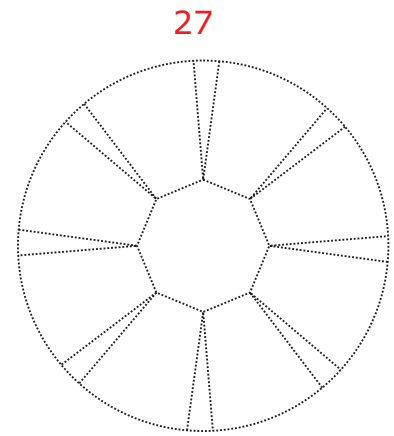
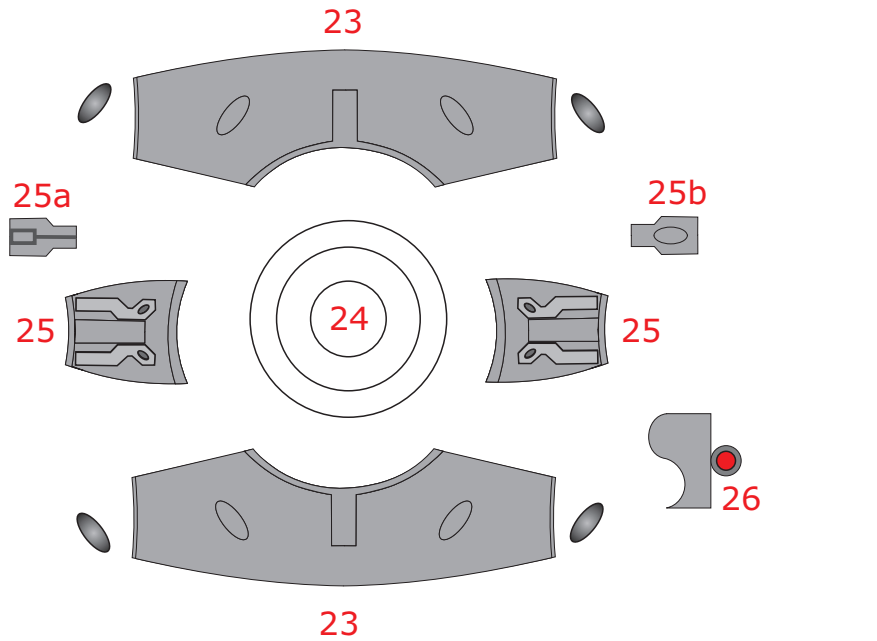
The original Tie Fighter model is designed by Ninjatoes <http://ninjatoes.wordpress.com>  
This version is re-drawn, vectorized and simplified by Loenf  
This is a free model! If you paid for this, you get ripped off!

## Tie Interceptor

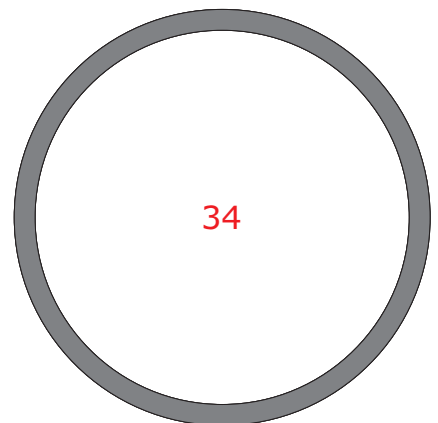
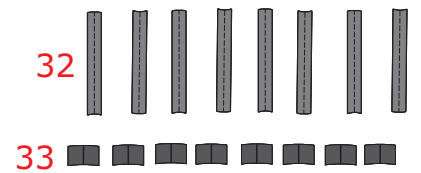
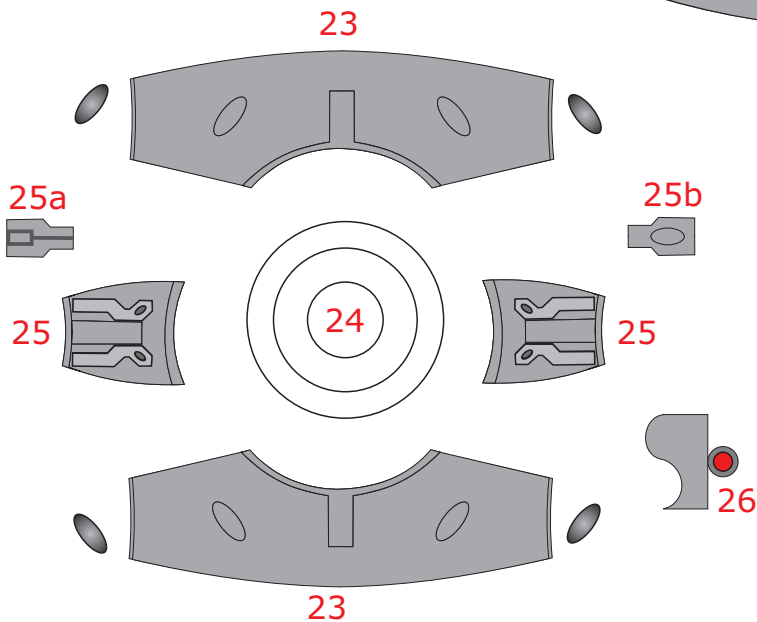
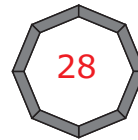
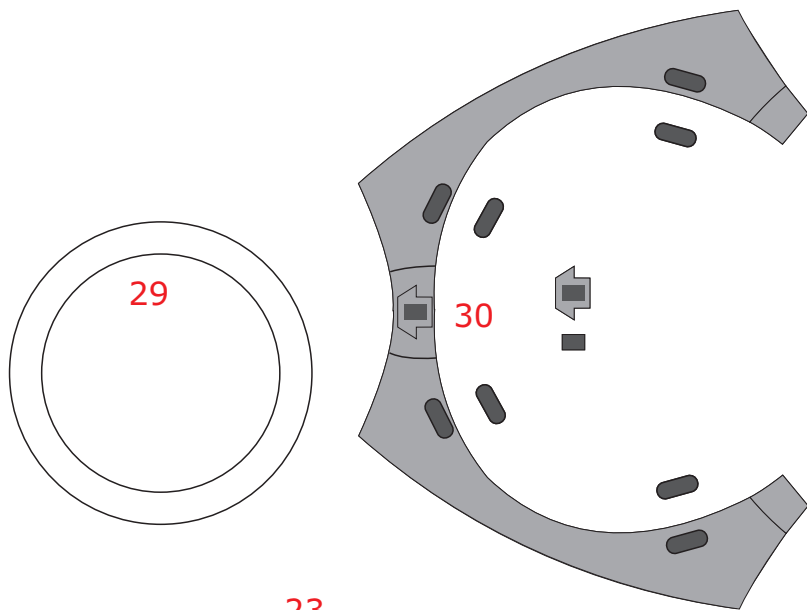


The original Tie Fighter model is designed by Ninjatoes <http://ninjatoes.wordpress.com>  
This version is re-drawn, vectorized and simplified by Loenf  
This is a free model! If you paid for this, you get ripped off!

## Tie Interceptor

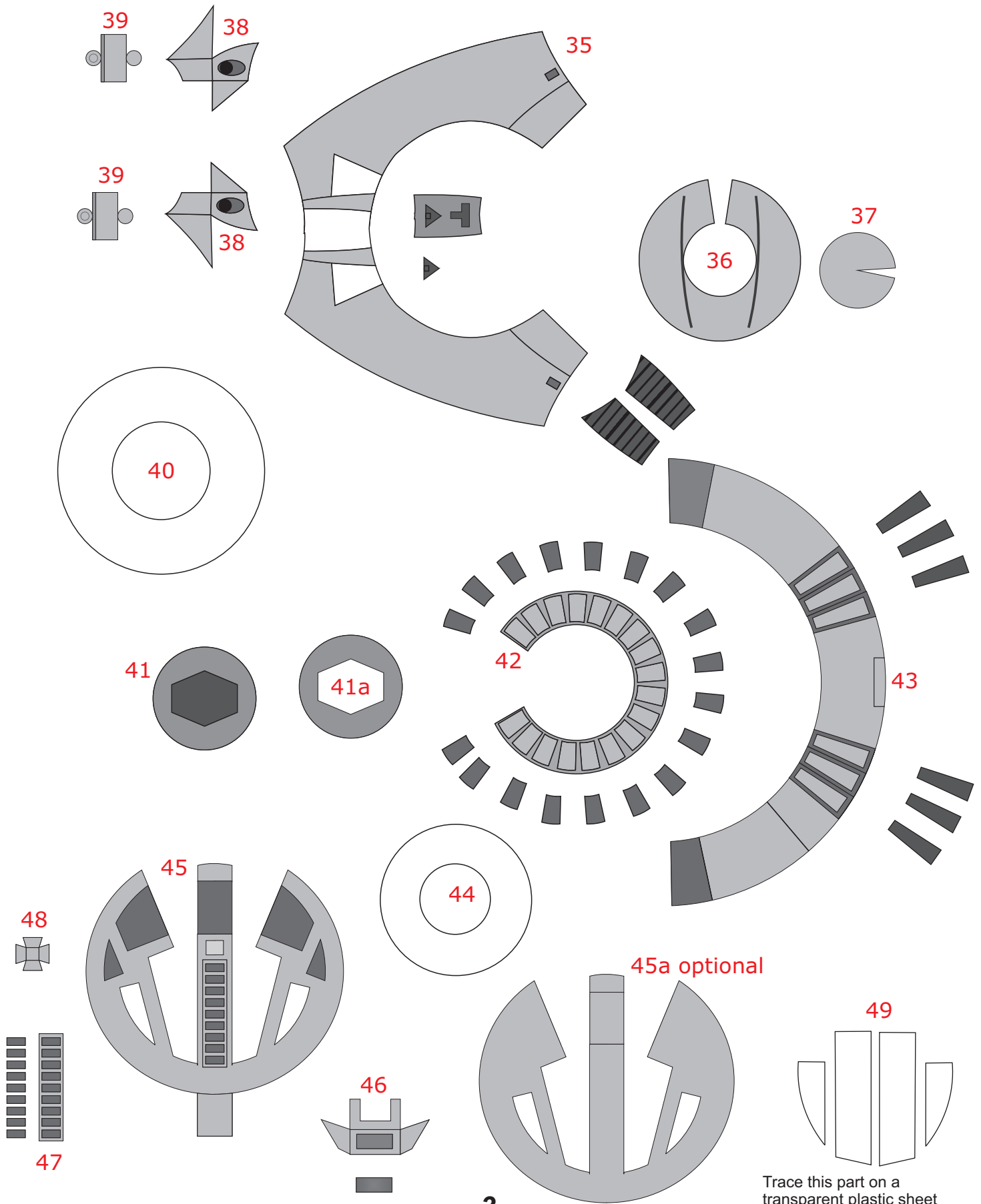


Trace this part on a transparent plastic sheet



The original Tie Fighter model is designed by Ninjatoes <http://ninjatoes.wordpress.com>  
This version is re-drawn, vectorized and simplified by Loenf  
This is a free model! If you paid for this, you get ripped off!

## Tie Interceptor

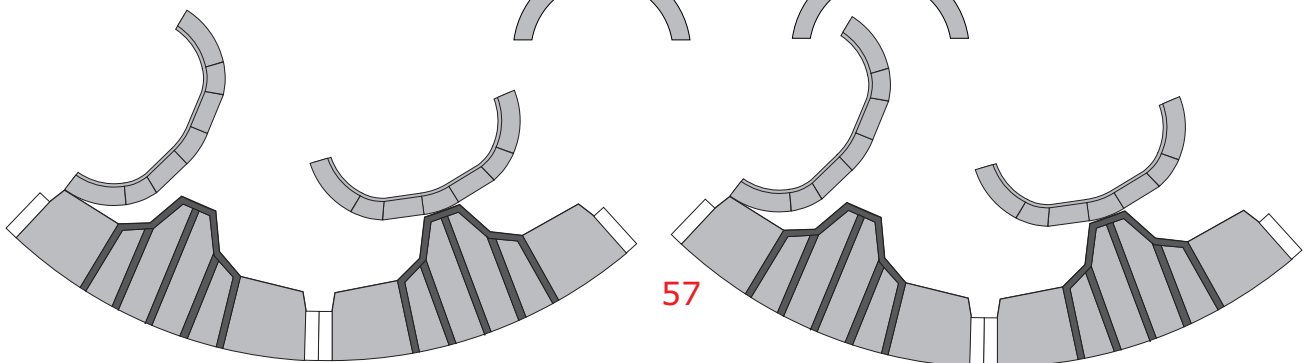
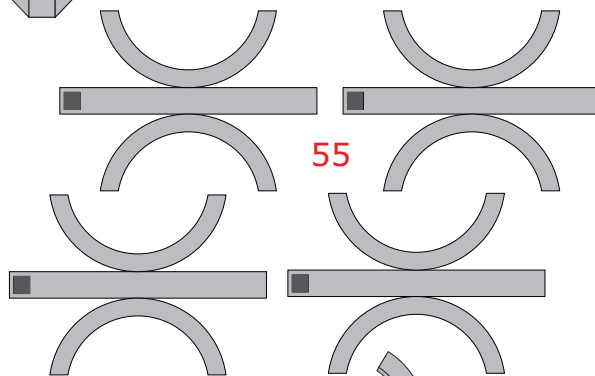
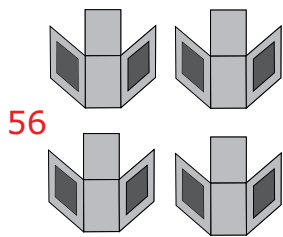
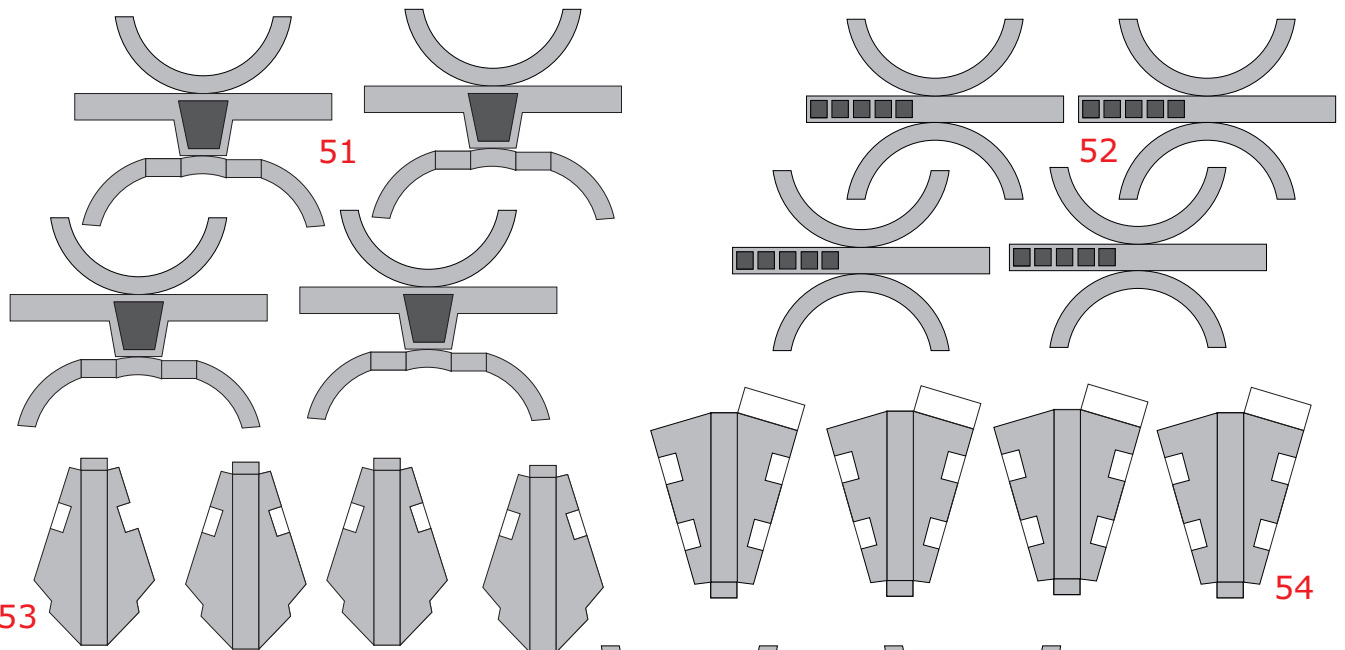
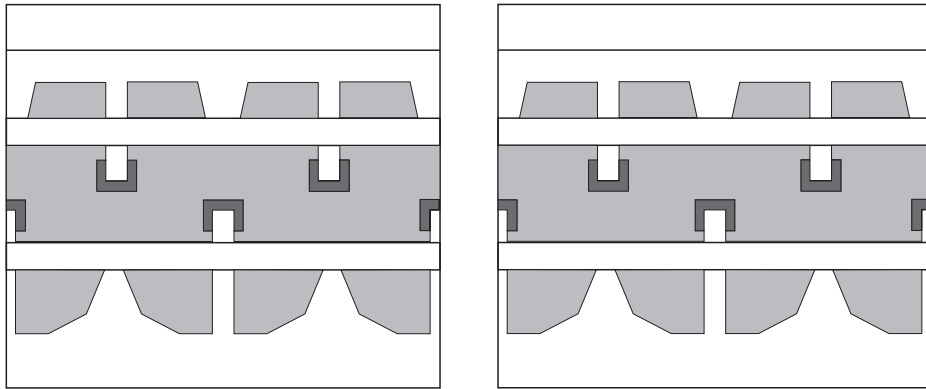


Trace this part on a transparent plastic sheet

The original Tie Fighter model is designed by Ninjatoes <http://ninjatoes.wordpress.com>  
This version is re-drawn, vectorized and simplified by Loenf  
This is a free model! If you paid for this, you get ripped off!

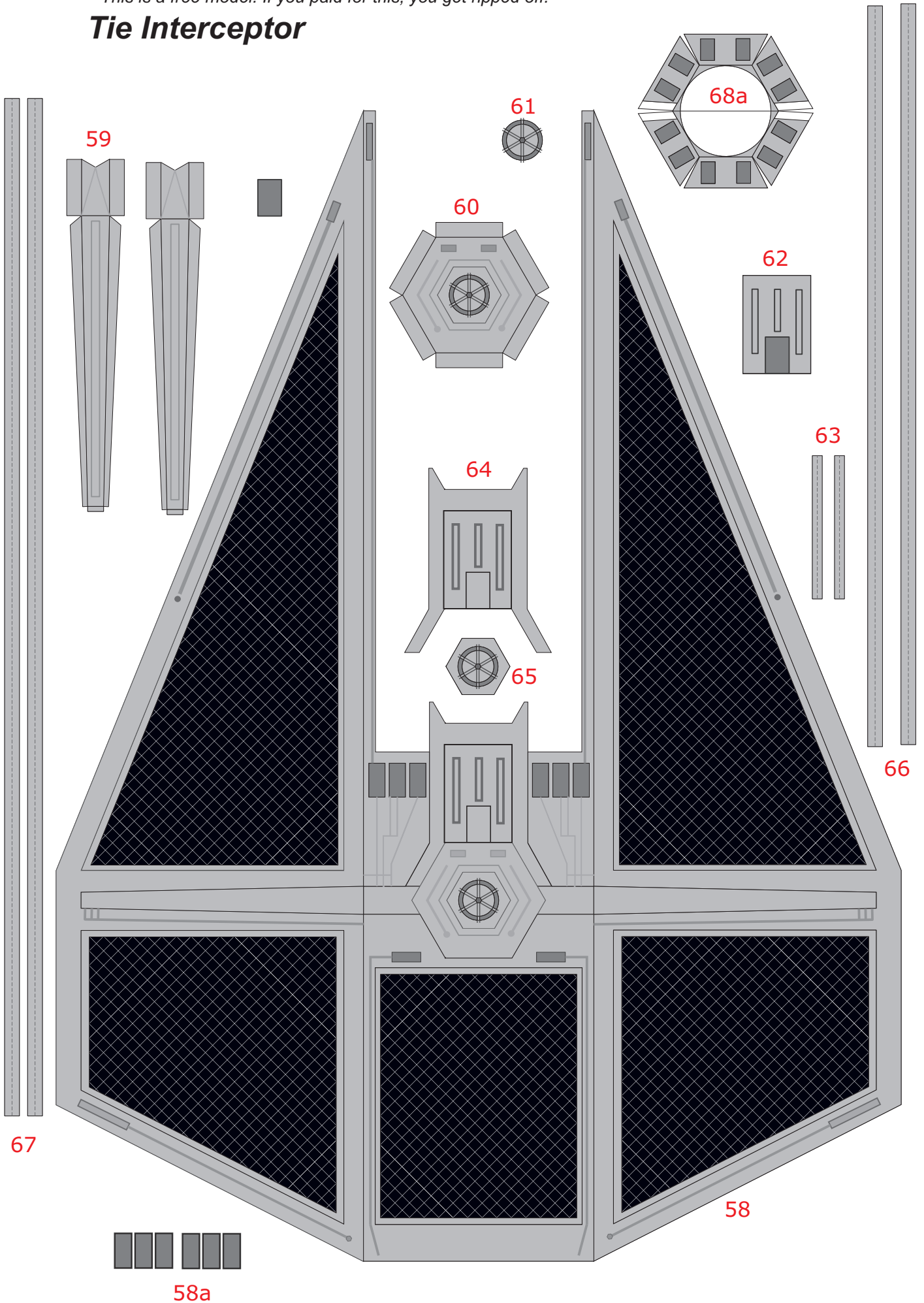
## Tie Interceptor

50



The original Tie Fighter model is designed by Ninjatoes <http://ninjatoes.wordpress.com>  
This version is re-drawn, vectorized and simplified by Loenf  
This is a free model! If you paid for this, you get ripped off!

## Tie Interceptor



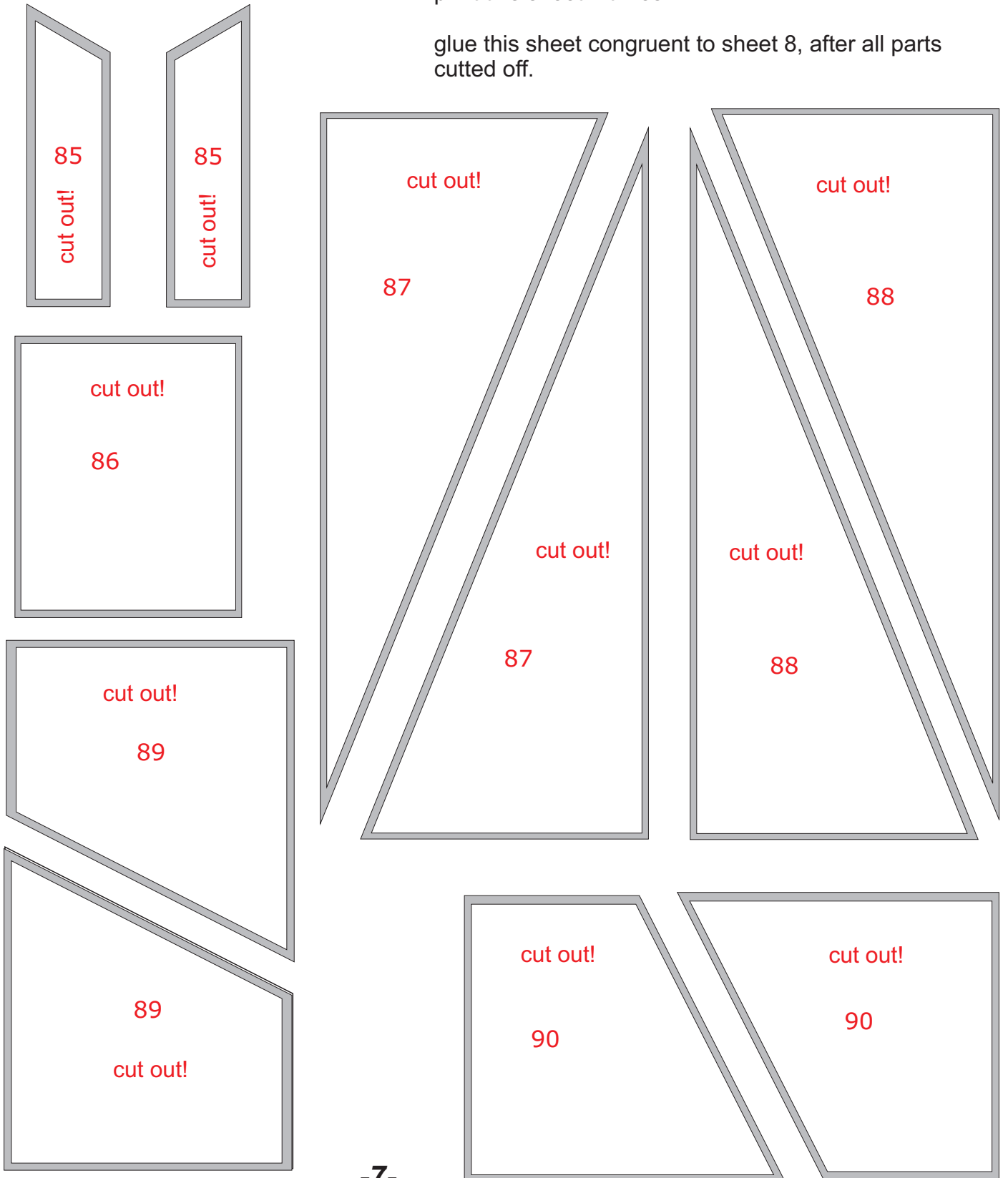


The original Tie Fighter model is designed by Ninjatoes <http://ninjatoes.wordpress.com>  
This version is re-drawn, vectorized and simplified by Loenf  
This is a free model! If you paid for this, you get ripped off!

## Tie Interceptor

print this sheet 2 times!

glue this sheet congruent to sheet 8, after all parts cutted off.





The original Tie Fighter model is designed by Ninjatoes <http://ninjatoes.wordpress.com>  
This version is re-drawn, vectorized and simplified by Loenf  
*This is a free model! If you paid for this, you get ripped off!*

## ***Tie Interceptor***

